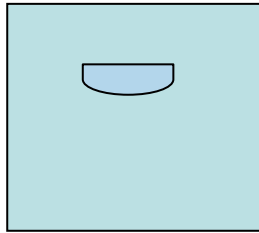


# Assembling a Hive 8 or 10 Frames

1. Assembling a Super or Brood Box
2. Assembling a Base
3. Assembling a Lid
4. The Hive - Putting it all together

# 1a. Super Parts



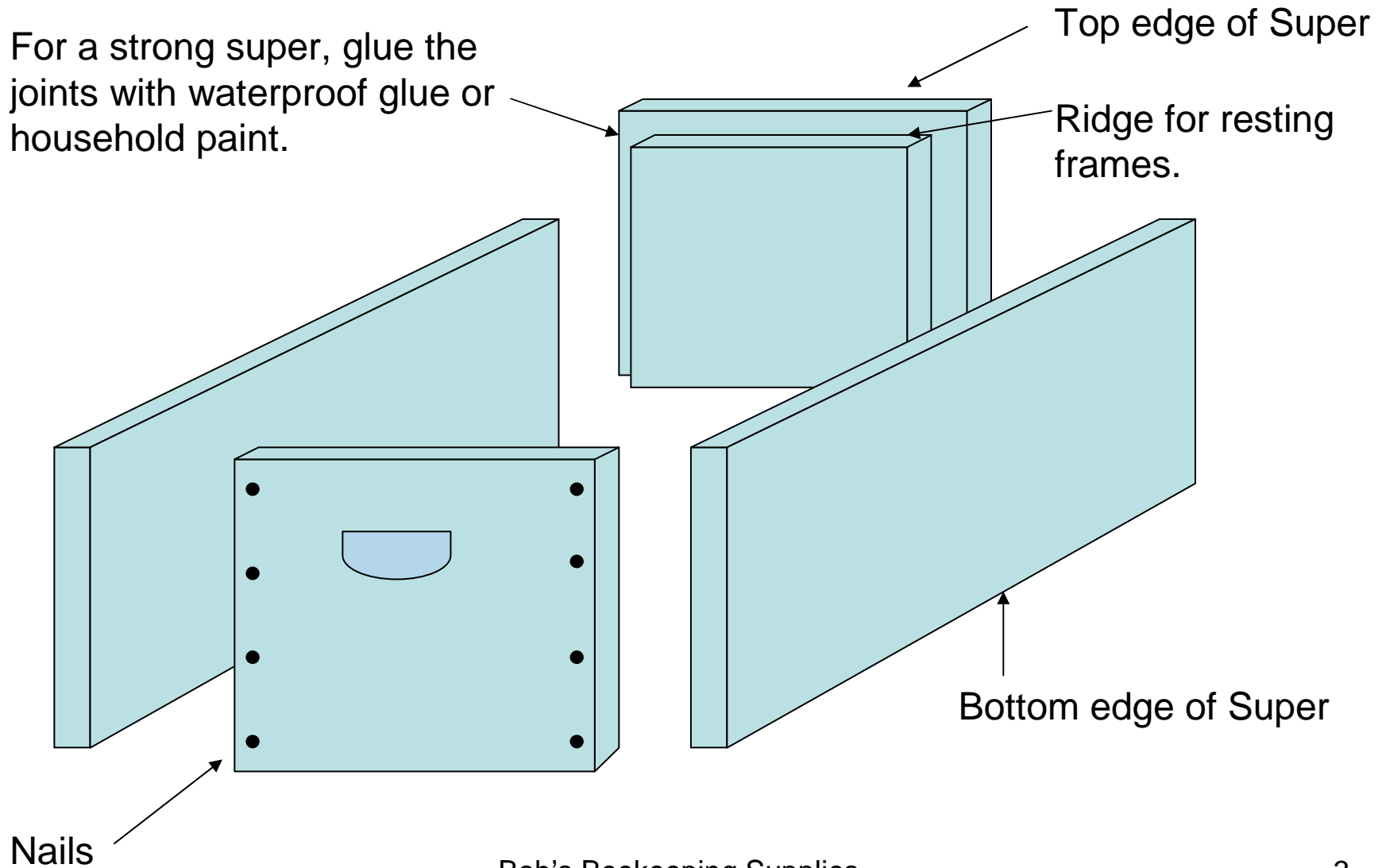
Qty 2 - Front



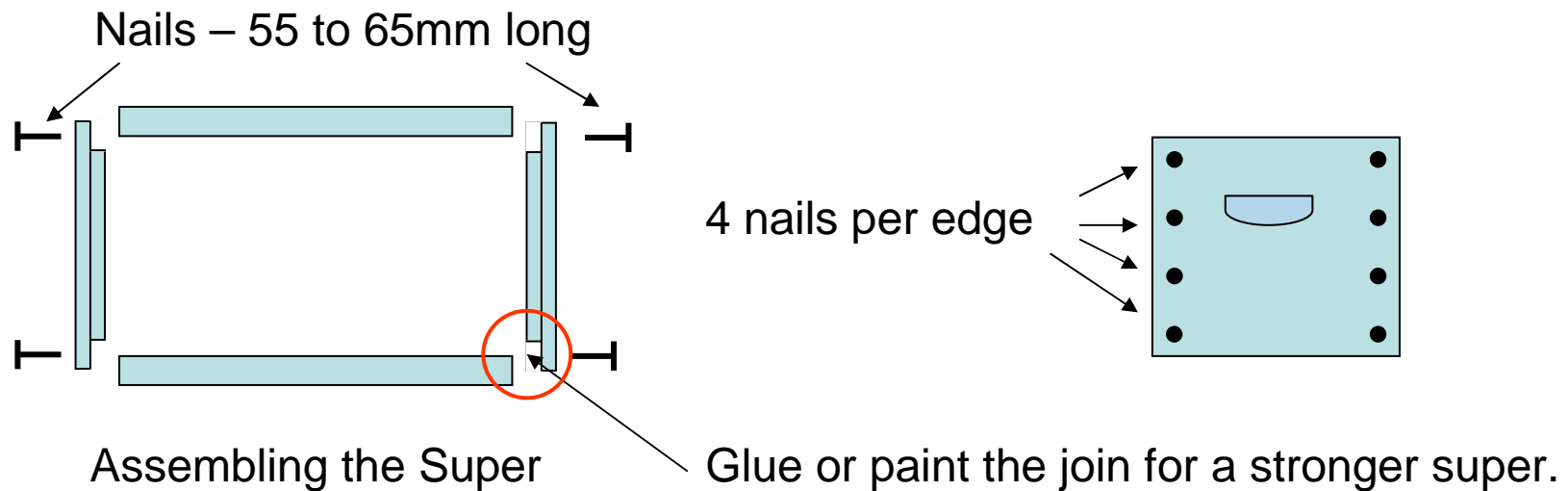
Qty 2 - Side

# 1b. Super

For a strong super, glue the joints with waterproof glue or household paint.

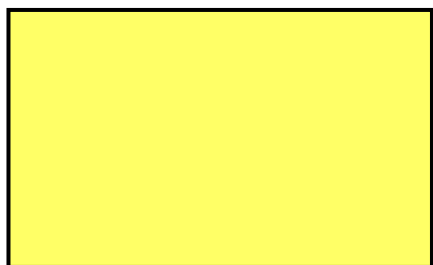


# 1c. Super

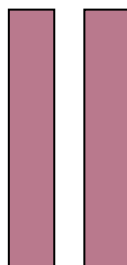


- Screws can be used instead of nails for a stronger joint, but most beekeepers use nails;
- Paint the outside of the super, and the top and bottom edges with exterior household paint. Also paint the ridge where the frames will rest. You can use colour, the bees do not mind!
- Opinion is divided on whether to paint the inside of the hive. I personally do not paint the inside of my hives.

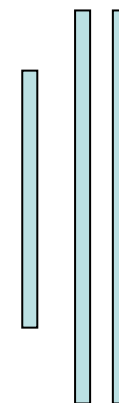
## 2a. Base Parts



Qty 1:  
Baseboard



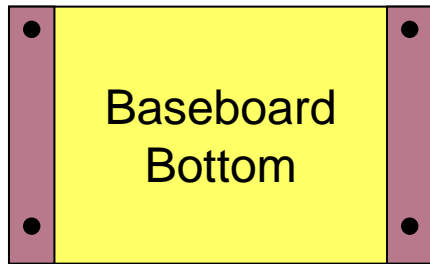
Qty 2:  
Cleats – for  
underneath of base



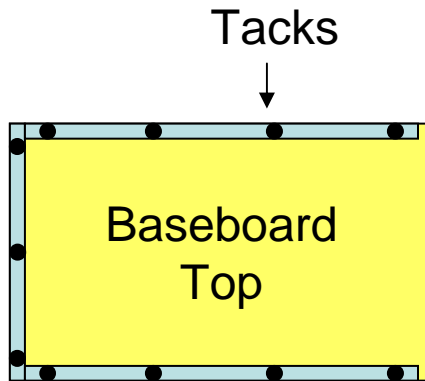
Qty 3:  
Strips of wood to rest  
Super on

- Cleats are usually made of hardwood which is more resistant to damp when resting on the ground;
- The rest of the base and the hive is usually made of pine.

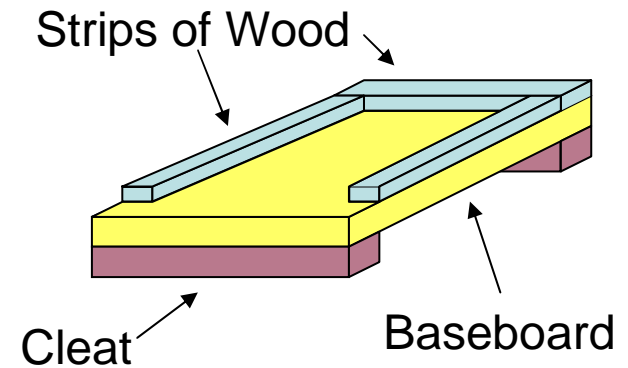
## 2b. Base



View from Bottom  
Showing cleats attached



View from Top  
showing strips of  
wood attached



Assembled Base

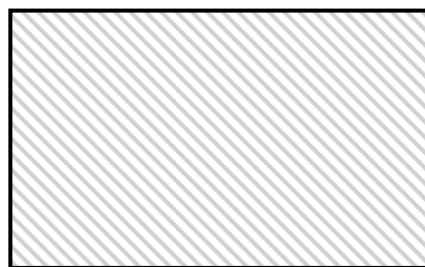
- Nail or screw the cleats in place;
- The cleats can be nailed from the top or the bottom.

- The strips of wood are attached using small tacks;
- ALL of the base needs to be painted, inside and out.

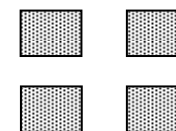
# 3a. Lid Parts



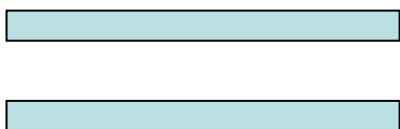
Qty 1: Metal Cover



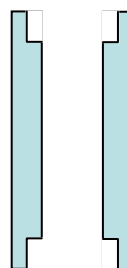
Qty 1: Hardboard Insert



Qty 4: metal grills for air vents

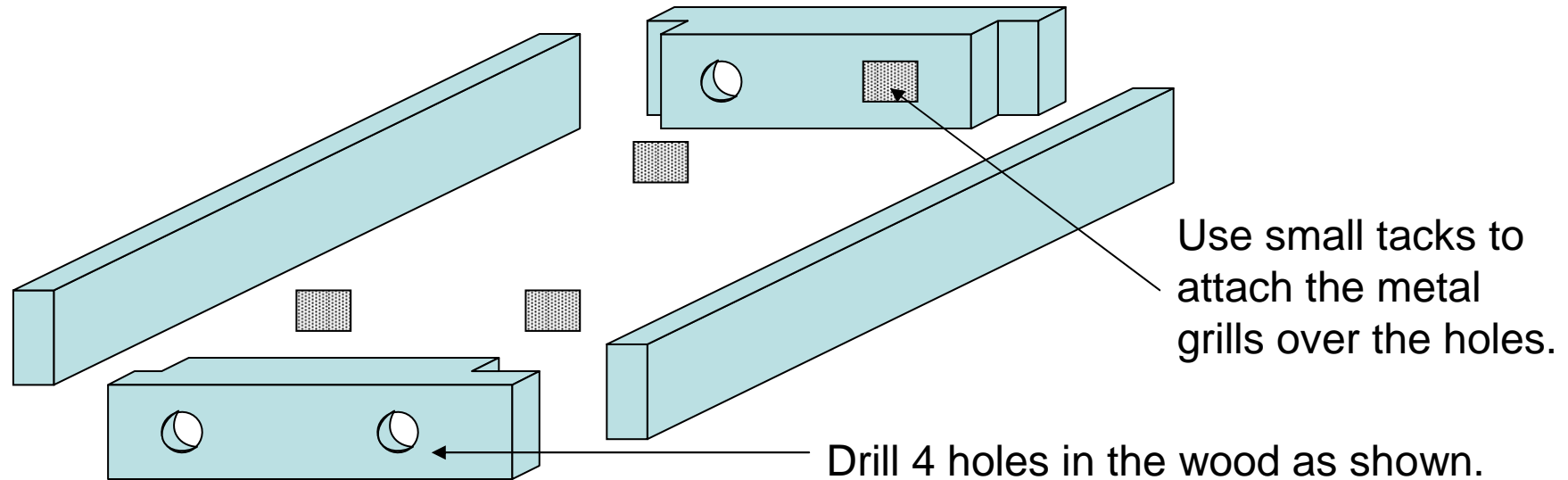


Qty 2: Sides of Lid



Qty 2: Front & Back of Lid

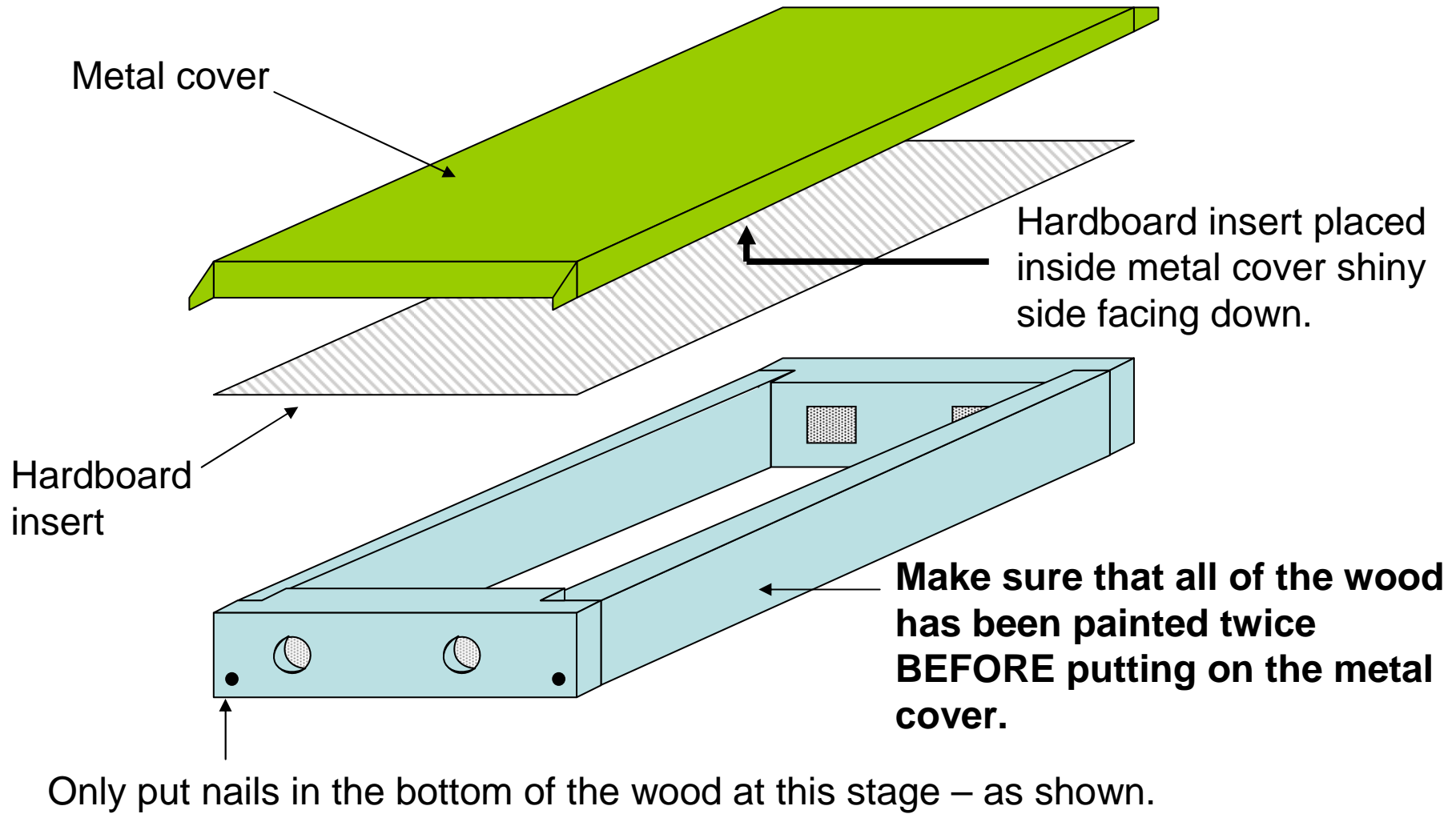
## 3b. Lid



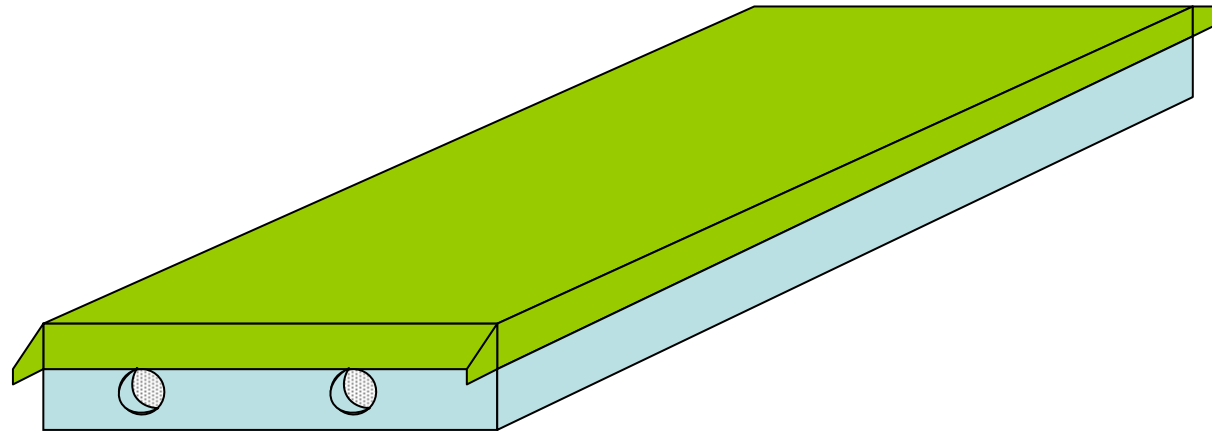
Before nailing the wood together drill 4 holes – two in the back and two in the front, as shown – about 25mm diameter. The holes are to allow air to circulate and to keep the hive free from moisture. Once the holes have been drilled, tack the 4 metal grills over the inside of the holes to stop other insects from entering the hive.

**Make sure you paint the wood before attaching the grills.**

# 3c. Lid

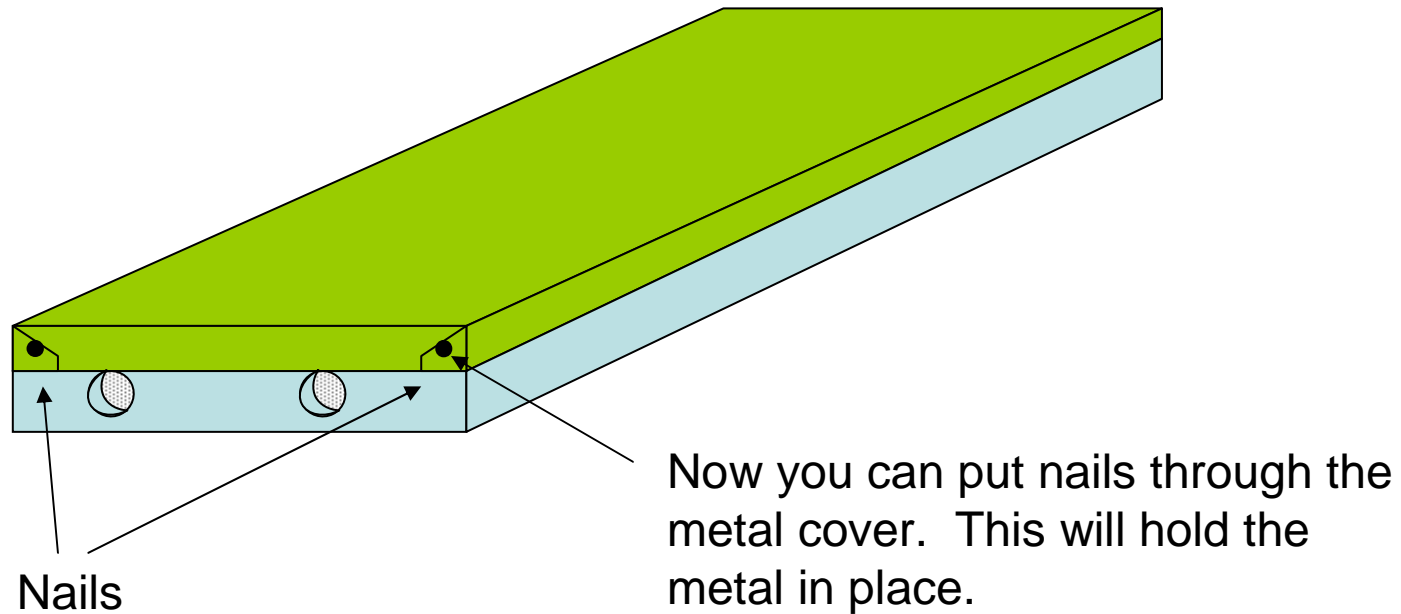


# 3d. Lid



Place metal cover and hardboard over wooden sides

## 3e. Lid



- Bend metal lugs over and place a nail through each lug into the wood;
- It is easier if you drill a small hole through the lugs before tapping in the nails.

# 4. Putting the Hive Together

